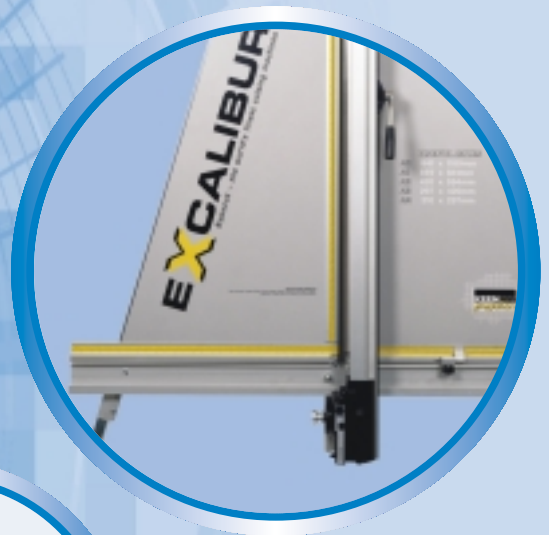


SHEET MATERIAL CUTTERS

KEENCUT

THE WORLD'S FINEST CUTTING MACHINES



**SHEET
MATERIAL
CUTTERS**



CUTTER BARS



MAT CUTTERS



ROTARY CUTTERS

The Legend of King Arthur has it that the Lady of the Lake offered only Arthur the unbreakable sword "Excalibur" that would ensure his victory in every battle.

The Keencut Excalibur is now creating a legend of its own. Working worldwide to defeat the evils of ever tougher materials and more aggressive competitors the Keencut Excalibur offers world beating performance with the best long term guarantees in the industry.

Designed to cut all the sheet materials used in the modern picture framing and visual communications industries, the Excalibur range cuts vertically, providing the ultimate in space saving convenience. It cuts sheet materials easily, cleanly and accurately every time. The super-grip clamp holds even thick materials at any required angle and the clear rule along the cut line allows easy alignment to artwork, lines or registration marks.

Excalibur uses standard inexpensive blades to cut a wide range of sheet materials without distortion and without dust, it will deliver accurate, fast cutting, with square, clean cuts to the correct size every time, whether for one off jobs or full production runs. Excalibur is so easy to use that even the most junior employee will master it in minutes. Wastage and errors will reduce as productivity increases, saving time and generating profit for any picture framing or visual communications workshop.

Built to last for many years in continuous service, Excalibur embodies the highest standards of engineering excellence combined with outstanding value for money.

FEATURES

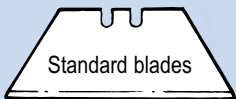
- ① Unique one piece squaring arm for easy installation and guaranteed straightness along the entire length.
- 'A' frame construction for rigidity and to help direct all cutting forces downwards through the legs.
- Lockable telescopic legs for perfect individual working height.
- ② Cutting to size is made easy using the two adjustable production stops.
- ③ A single thumbscrew quickly and permanently adjusts the Excalibur perfectly square at the time of installation.
- High performance linear bearings precisely control the sliding head(s) on a smooth rigid slideway to give square cuts every time.
- Can be mounted against a wall or in the centre of a room using the optional free standing kit enabling the machine to be installed in the most efficient workshop location.
- A clear acrylic rule runs along the full length of the cut line, allowing perfect positioning of the work to be cut. Cutting accurately to pencil lines, registration marks or the edge of a mounted image couldn't be simpler.
- Unique quality guarantees (*see reverse for details*)

EXCALIBUR 1000

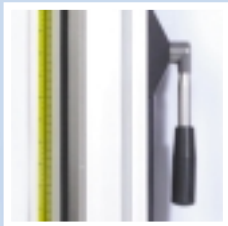
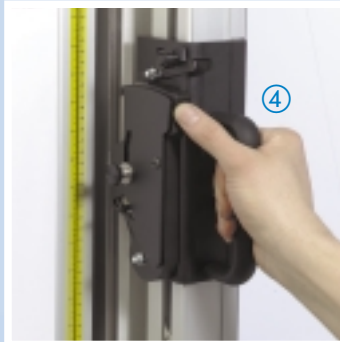
Excalibur 1000 - Features a single purpose cutter head ④ with interchangeable utility blade, plastic scoring blade and optional glass cutting attachment. The utility blade is ideal for cutting foam centred board, honeycomb plastics, corrugated cardboard, matboard and more and a ratchet device fitted to the head makes it ideal for cutting pvc foamboard up to 13mm (0.50") easily and without dust.

OPTIONAL ACCESSORIES

- Glass cutting attachment
- Twin wheel cutter for hardboard, masonite, MDF, aluminium faced plastics etc.
- Free standing kit



Standard inexpensive blades can be changed in seconds with no tools.



EXCALIBUR 1000E

Excalibur 1000E - An extended version of the Excalibur 1000 that provides an economical solution for those people who have the occasional requirement to cut material up to 2m (80").

EXCALIBUR 3000

Excalibur 3000 - The single purpose cutter head ④ with interchangeable utility blade, plastic scoring blade and glass cutting attachment is mounted on bottom sliding head. A patented, twin wheeled, heavy duty cutter ⑤ is mounted on top sliding head, this easily cuts hardboard, masonite, MDF and aluminium faced plastics in one pass, with minimum effort, no distortion and no dust.

OPTIONAL ACCESSORIES

- Free standing kit

EXCALIBUR 5000

Excalibur 5000 - The ingenious, indexed turret ⑥, mounted on bottom sliding head, simply turns to lock any one of three cutting tools in its selected operating position, quickly with no screws to loosen or tools to find. Everything is where it is needed when it is needed. Engage the tungsten carbide cutting wheel for glass and mirrors, the scoring blade for perspex and acrylics or the utility blade for foam centred board, honeycomb plastics, corrugated cardboard, matboard and more. A ratchet device fitted to the head makes it ideal for cutting pvc foamboard up to 13mm (0.50") easily and without dust. A patented, twin wheeled, heavy duty cutter ⑤ is mounted on top sliding head, this easily cuts hardboard, masonite, MDF and aluminium faced plastics in one pass, with minimum effort, no distortion and no dust.

FEATURES (in addition to those listed for the "1000" & "3000")

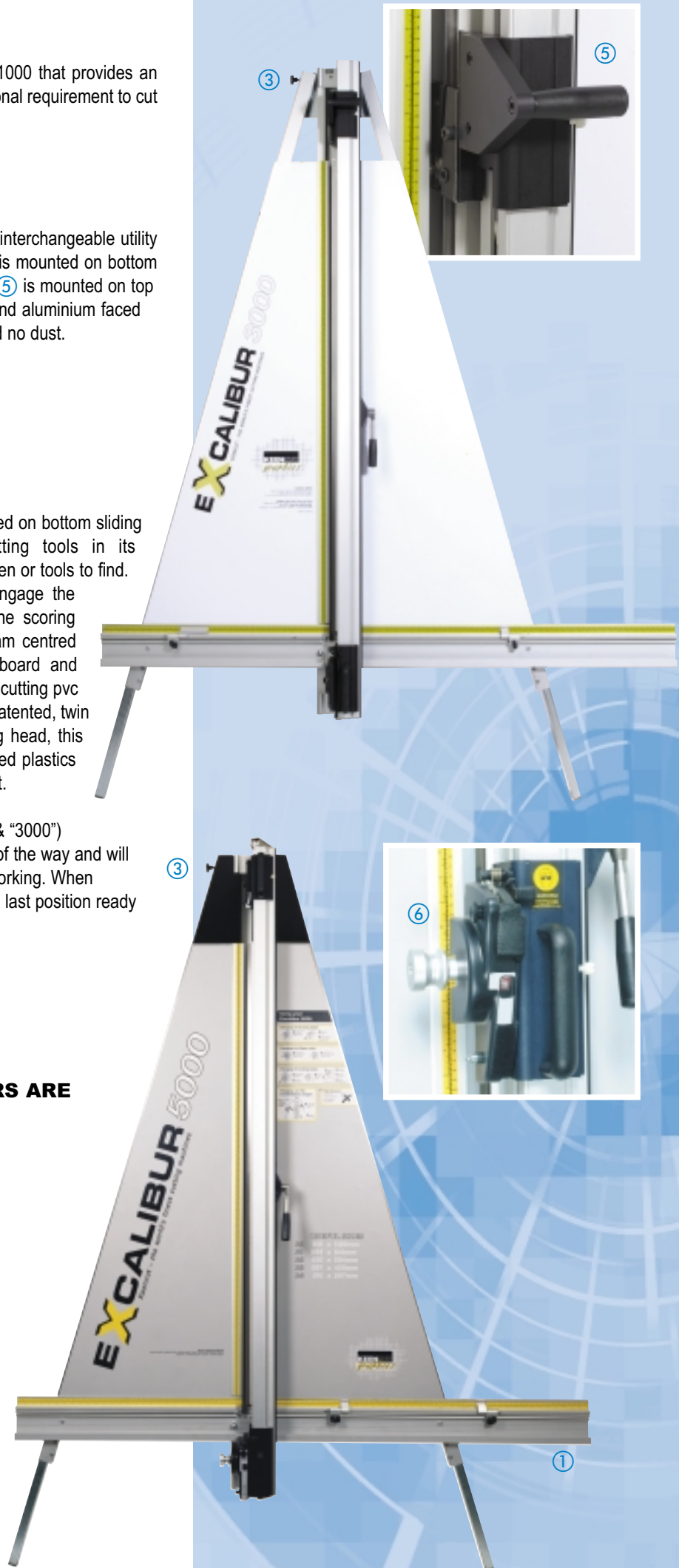
- A smooth sliding counterbalance operates safely out of the way and will support either cutting head for easy, all day, fatigue free working. When released, the balanced cutting head will stay exactly in the last position ready for the next operation.

OPTIONAL ACCESSORIES

- Free standing kit

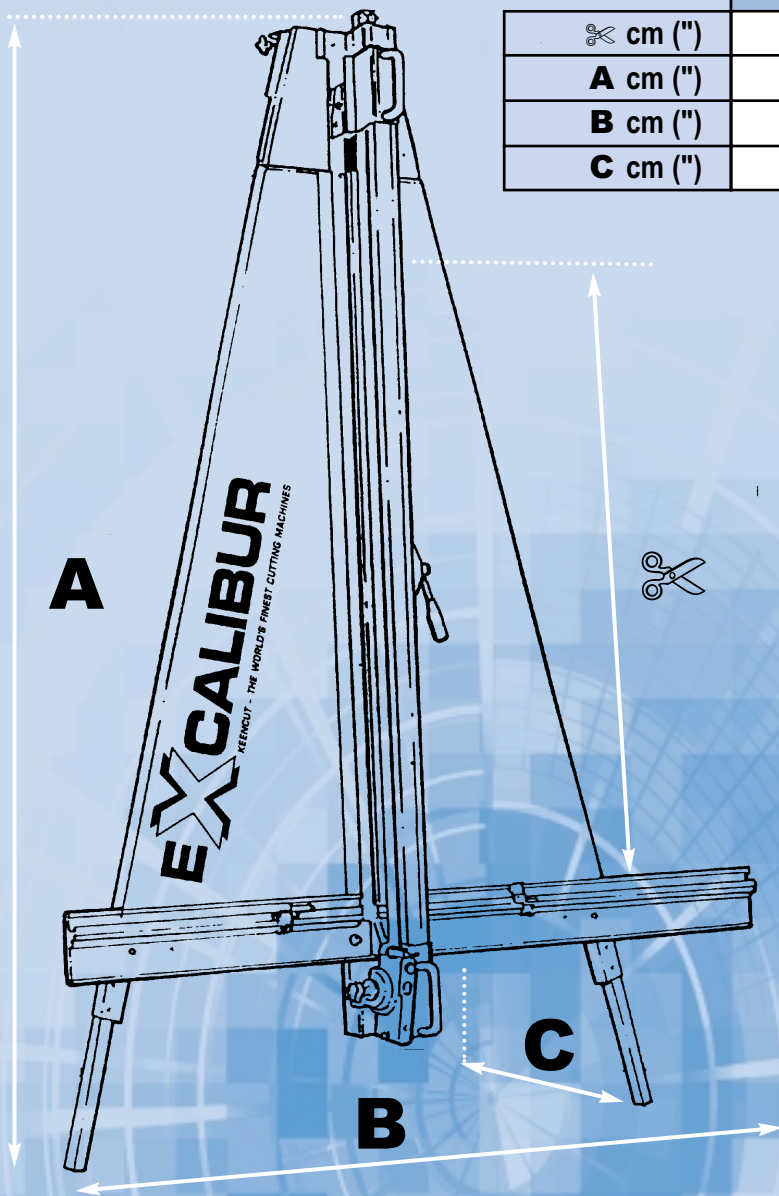
EXCALIBUR SHEET MATERIAL CUTTERS ARE IDEAL FOR CUTTING

- Matboard
- Cardboard
- Corrugated Cardboard
- Honeycomb and corrugated plastics.
- PVC foamboard up to 13mm (0.50") thick
- Foam centred board
- Scores acrylics
- Hardboard and MDF up to 3mm (0.12") thick (3000 and 5000 only)
- Scores glass up to 6mm (0.24") thick (3000 and 5000 only)



EXCALIBUR

	KE01, KE03, KE05	KE02, KE04, KE06	KE07
✂ cm (")	122 (48)	160 (63)	200 (80)
A cm (")	208 (82)	244 (96)	269 (106)
B cm (")	213 (84)		
C cm (")	30 – 40 (12 – 16)		



Guarantees

- 5 year comprehensive guarantee
- 20 year free replacement guarantee on all bearings
- 30 day, no quibble, money back guarantee



Full KEENCUT Product Range

- Cutter Bars
- Sheet Material Cutters
- Rotary Cutters
- Mat Cutters



CAS Solutions
www.cassolutions.com

763.274.1119 • 877.632.6406

8751 - 162nd Lane NW • Ramsey, MN 55303-3408

www.cassolutions.com